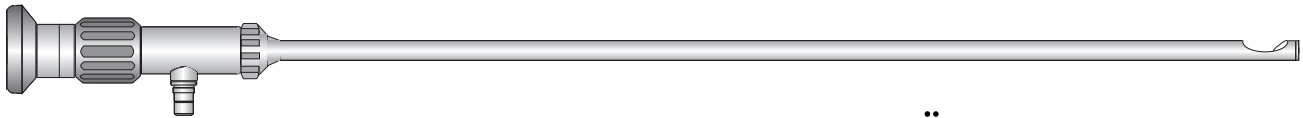


FLEXILUX

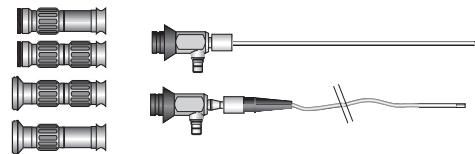


INDUSTRIAL BORESCOPIES BY SCHÖLLY

1. MICRO - BORESCOPIES

Page

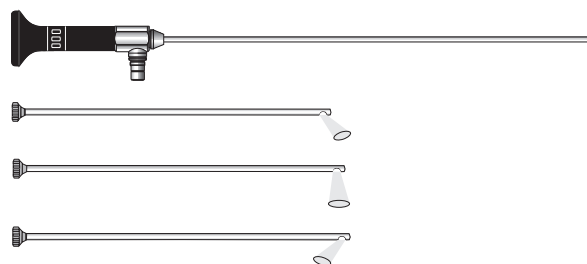
100 Miniflex Module
Flexible Ø 0.35 - 2.0 mm; Length 150 - 6.000 mm
Rigid Ø 0.8 - 1.4 mm; Length 150 - 500 mm
Side view Ø 1.0 - 1.4 mm; Length 500 - 1.500 mm
Accessories



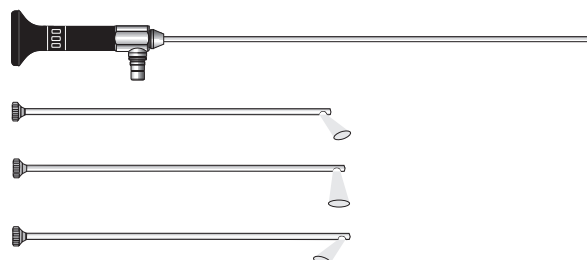
1105 Miniflex Fiberscopes
0.5 - 1.4 mm; Length 500 - 1.500 mm



1106 Miniflex Borescopes
0.96 - 2.7 mm; Length 80 - 190 mm

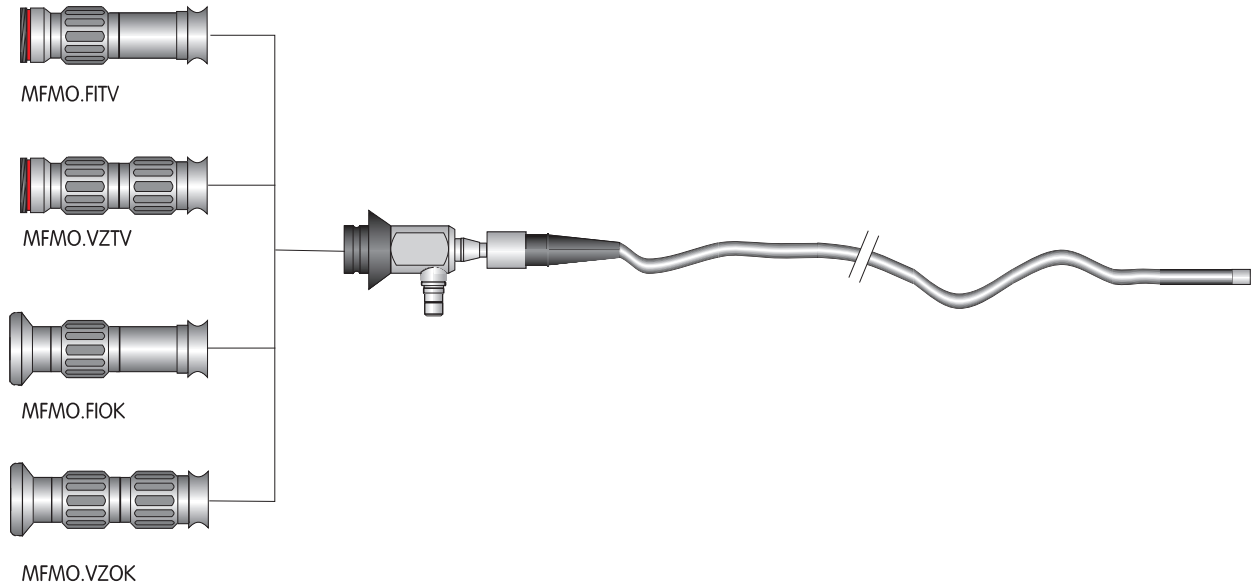


108 Miniflex Robust
1.2 - 2.7 mm; Length 150 - 500 mm



MINIFLEX MODULE FLEXIBLE

For internal examination and inspection of small tubes and bores the MINIFLEX MODULE series offers a system that combines outstanding versatility with first-class optical systems. Diameters are available from 0.35 - 2.0 mm and working lengths up to 6000 mm can be offered for the bigger systems. All probes can be used with standard and variozoom oculars or TV heads.



Code No.	Working diameter (mm)	Working length (mm)	Viewing direction	Field of View	Image bundle (pix.)
----------	-----------------------	---------------------	-------------------	---------------	---------------------

MFMOF.0350150.0070	0.35	150	0°	70°	3,000
--------------------	------	-----	----	-----	-------

MFMOF.050500.0070	0.5	500	0°	70°	3,000
MFMOF.051000.0070	0.5	1000	0°	70°	3,000

MFMOF.080500.0070	0.8	500	0°	70°	6,000
MFMOF.081000.0070	0.8	1000	0°	70°	6,000
MFMOF.081500.0070	0.8	1500	0°	70°	6,000

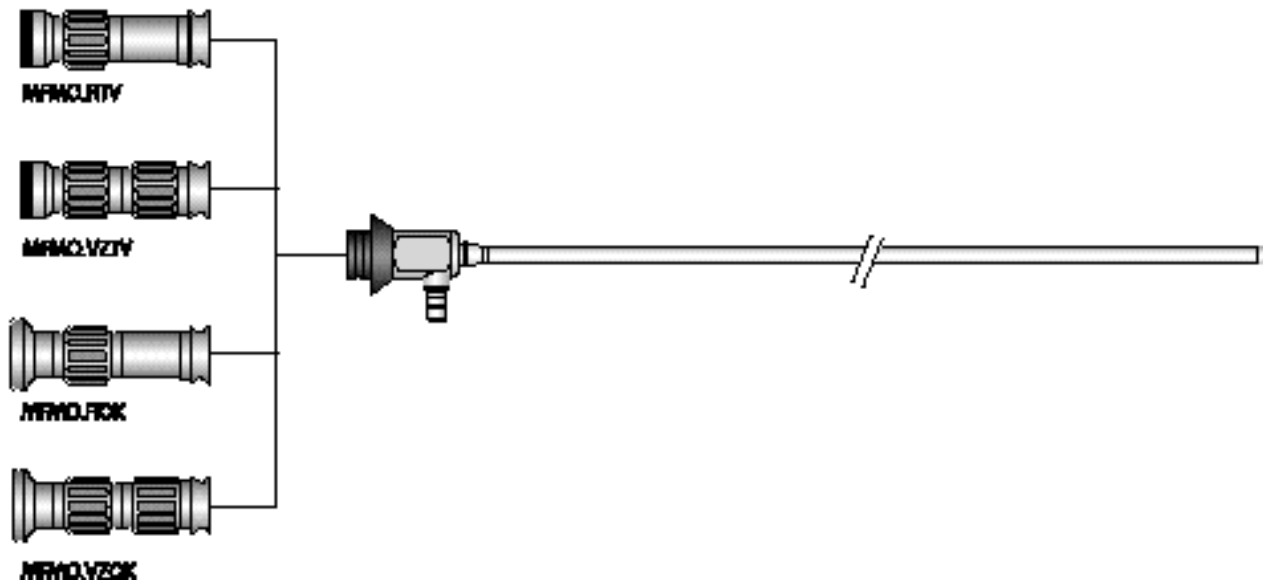
MFMOF.100500.0070	1.0	500	0°	70°	6,000
MFMOF.101000.0070	1.0	1000	0°	70°	6,000
MFMOF.101500.0070	1.0	1500	0°	70°	6,000

MFMOF.140500.00100	1.4	500	0°	100°	10,000
MFMOF.141000.00100	1.4	1000	0°	100°	10,000
MFMOF.141500.00100	1.4	1500	0°	100°	10,000

MFMOF.203000.0070	2.0	3000	0°	70°	10,000
MFMOF.206000.0070	2.0	6000	0°	70°	10,000

MINIFLEX MODULE RIGID

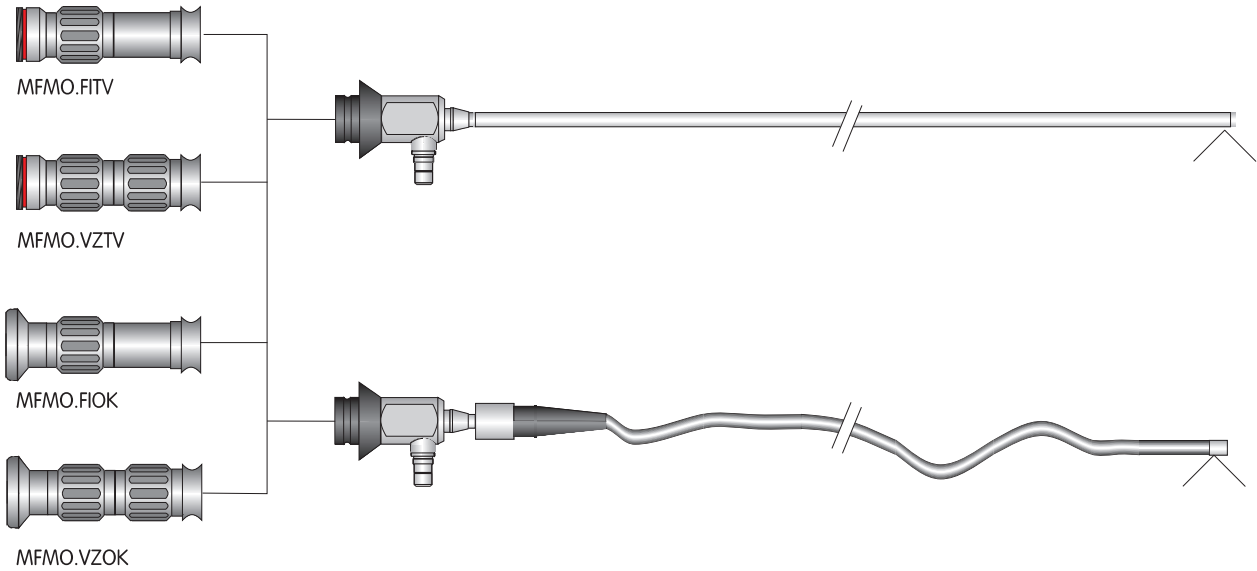
The MINIFLEX MODULE RIGID offers tough micro-probes for industrial environments. Like the flexible system, the different instruments can be used with standard and variozoom oculars or TV heads.



Code No.	Working diameter (mm)	Working length (mm)	Viewing direction	Field of View	Image bundle (pix.)
MF MOS.080150.0050	0.8	150	0°	50°	6,000
MF MOS.080250.0050	0.8	250	0°	50°	6,000
MF MOS.080500.0050	0.8	500	0°	50°	6,000
MF MOS.100150.0050	1.0	150	0°	50°	6,000
MF MOS.100250.0050	1.0	250	0°	50°	6,000
MF MOS.100500.0050	1.0	500	0°	50°	6,000
MF MOS.140150.0070	1.4	150	0°	70°	10,000
MF MOS.140250.0070	1.4	250	0°	70°	10,000
MF MOS.140500.0070	1.4	500	0°	70°	10,000

MINIFLEX MODULE SIDE-VIEW

All modules with diameter 0.96mm and 1.4mm are also available as **90°** side-view versions. This includes flexible and rigid systems.



Code No.	Working diameter (mm)	Working length (mm)	Viewing direction	Field of View	Image bundle (pix.)
----------	-----------------------	---------------------	-------------------	---------------	---------------------

MFMOF.100500.9050	1.0	500	90°	50°	6,000
MFMOF.101000.9050	1.0	1000	90°	50°	6,000
MFMOF.101500.9050	1.0	1500	90°	50°	6,000

MFMOF.1400500.9050	1.4	500	90°	50°	10,000
MFMOF.1401000.9050	1.4	1000	90°	50°	10,000
MFMOF.1401500.9050	1.4	1500	90°	50°	10,000

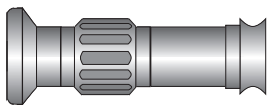
MFMO.S.100150.9050	1.0	150	90°	50°	6,000
MFMO.S.100250.9050	1.0	250	90°	50°	6,000
MFMO.S.100500.9050	1.0	500	90°	50°	6,000

MFMO.S.140150.9050	1.4	150	90°	50°	10,000
MFMO.S.140250.9050	1.4	250	90°	50°	10,000
MFMO.S.140500.9050	1.4	500	90°	50°	10,000

MINIFLEX MODULE ACCESSORIES

All rigid, flexible and side-view modules can only be used together with an ocular or TV head. Those adapters are compatible to all instruments and can be used with different probes.

Ocular

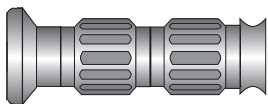


Code No.

Description

MFMO.FIOK

Ocular-head with focusing and snap-lock



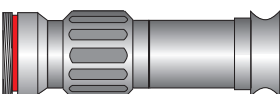
Code No.

Description

MFMO.VZOK

Variofocal ocular-head with focusing and snap-lock

TV-head

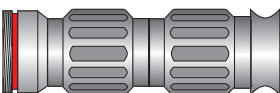


Code No.

Description

MFMO.FITV

TV-head with focusing and snap-lock



Code No.

Description

MFMO.VZTV

Variofocal TV-head with focusing and snap-lock

All TV heads are supplied with a C-mount thread for connection to standard CCD cameras.

MINIFLEX MODULE ACCESSORIES

The following accessories are available for the flexible Miniflex Module series.

Protection Tubes

These sleeves are pushed over the flexible probe and connected to the basic unit of the instrument, thus turning the flexible into a rigid endoscope.



(Please indicate code no. of your Miniflex Module when ordering protection tubes).